

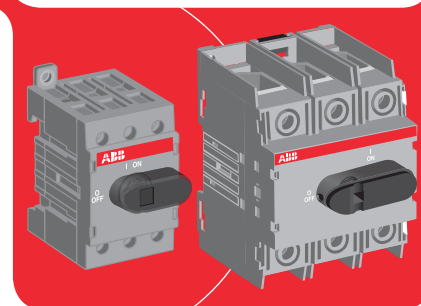
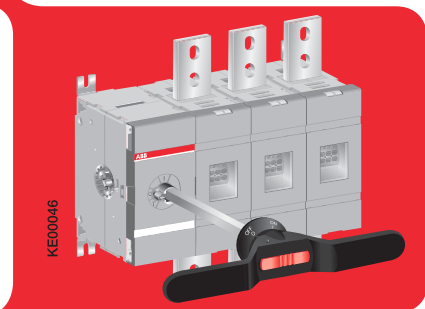
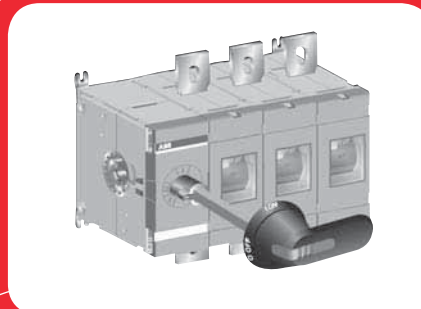
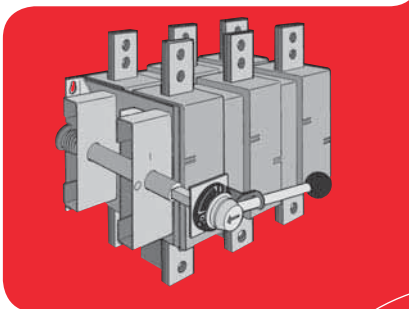
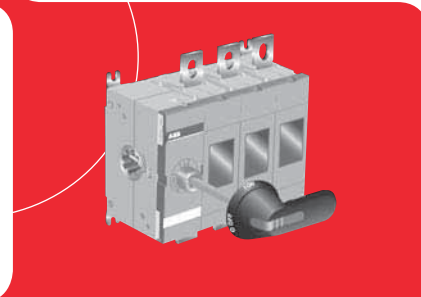
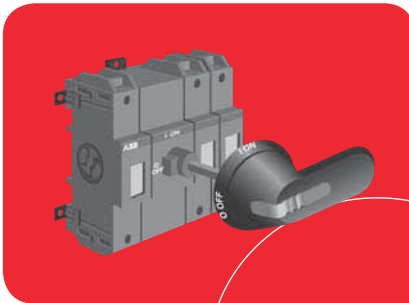


Enhanced range of non-fusible disconnect switches

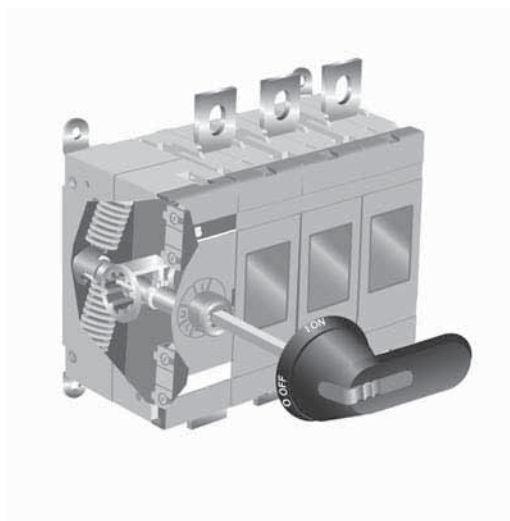
From 16 to 2000 A, 600 V

The non-fusible disconnect switches are suitable for diverse applications, in motor control centers, in switchboards and as main switches in various equipments and machines. From single to 8-poles front operated switches with pistol handle or direct mounted handle. For installation in enclosures, side operated switches and combination switches for change-over, bypass, reversing etc.

- Mountable on DIN rails or base plates and on the door, both by snap-on and screw fitting
- Snap-on mounting of accessories



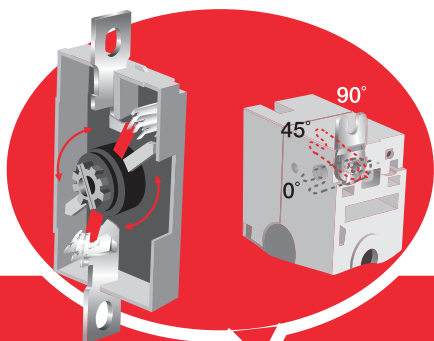
The most compact disconnect (isolation) solution



Optimally designed, the OT disconnect switch offers an advanced and compact solution, providing you with added value.

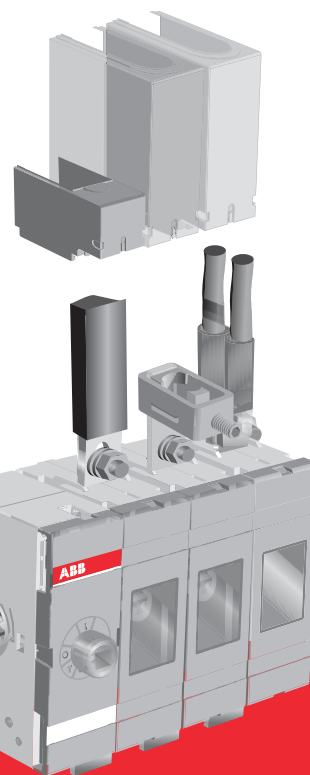
- The new double-sided spring construction in combination with fewer components made an innovative and compact design of the operation mechanism possible.
- The uniquely short current path enabled a small-sized contact construction.

High performance despite the small size



The powerful new construction, with its quick-make and quick-break operation features and two contact points instead of one, adds value to and enhances the performance of the disconnect switches.

- The OT range offers you improved power ratings, the highest on the market. Full I ratings can be used both in open air and in enclosures, without having to derate or enlarge the box.
- User-friendly and flexible, the OT disconnect switch provides you with full horse power ratings for all the voltages, even up to 600 V.



The OT disconnect switch is easy to use and a snap to install according to your choice: horizontally or vertically - even in the ceiling! The adjustable mounting feet allow both top and side mounting of the switch.

ABB's disconnect switch range meets disconnect and isolation requirements more effectively than ever, maximizing the benefits and optimizing your use of assets.